

Ball Check Valve, PN16/Class125

5109 – Flanged Ends Size DN40 to DN350

Specifications

- Face to face dimensions to EN558-1 basic series 48 & DIN3202 F6 series.
- Fully rubber coated ball.
- Functions even at a low pressure.
- Free low passage, blockage-free.
- Low frictional losses.
- For sewage prone to blockages.
- Available with flanges EN1092-2 PN10 or PN16, ANSI B16.1 Class125 (Other types available on request).
- With NPT or BSPT thread ends.

Working Pressure

- 16 bar.

Working Temperature

- -10°C to 120°C for EPDM seat.
- -10°C to 82°C for NBR seat.

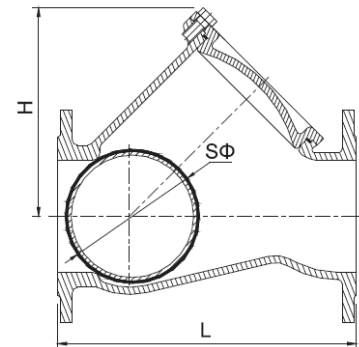
Corrosion Protection

- Internally and externally liquid epoxy painted or fusion bonded epoxy powder coated (FBE).

Material Specifications

Part Name	Material	EN Spec.	ASTM Spec.
Body	Ductile Iron	EN-JS 1050	A536 65-45-12
Cover	Ductile Iron	EN-JS 1050	A536 65-45-12
Ball	CS, NBR/EPDM Coated	S235JR	A570 Gr. A
Gasket	EPDM/NBR	Commercial	Commercial

Schematic



Notes :

Design and material are subject to change without notice.

Fig. 5109 Dimensions (mm)

Size	DN40	DN50	DN65	DN80	DN100	DN125	DN150	DN200	DN250	DN300	DN350
L	180	200	240	260	300	350	400	500	600	700	800
H	100	125	140	180	207	225	280	355	420	480	580
SΦ	50	63	80	96	125	150	180	250	320	370	414
Weight (kg)	8	9	11	13	20	32	42	74	138	200	310