

## Flex Check Valve Size DN50–DN600 PN16/Class125 **5107**

### Specifications

- The disc is precision molded with an integral o-ring type sealing surface, and contain alloy steel with nylon reinforcement in the flexible hinge area.
- A threaded port with pipe plug on the bottom of valve to allow for field installation of a backflow actuator.
- Slamming and water hammer virtually non-existent due to its short closing travel.
- Full top-entry access for easy on-line inspection and maintenance.
- Available with flanges EN1092-2 PN10 or PN16, ANSI B16.1 Class125 (Other types available on request).

### Working Pressure

- 16 bar.

### Working Temperature

- -10°C to 120°C for EPDM disc.
- -10°C to 82°C for NBR disc.
- -10°C to 150°C for Viton disc.

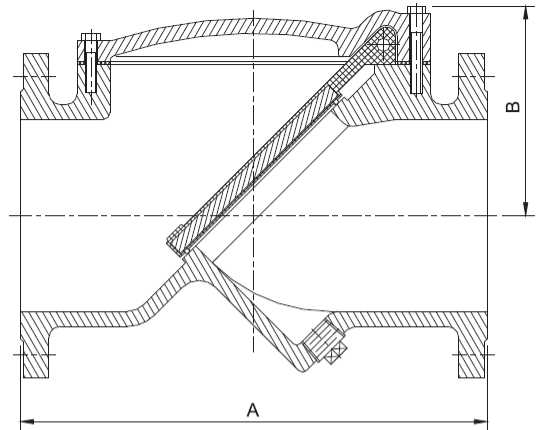
### Corrosion Protection

- Internally and externally liquid epoxy painted or fusion bonded epoxy powder coated (FBE).

### Material Specifications

Part Name	Material	EN Spec.	ASTM Spec.
Body	CI for DN50 to DN300	EN-JL 1040	A126 Class B
	DI for DN350 and Above	EN-JS 1050	A536 65-45-12
Cover	CI for DN50 to DN300	EN-JL 1040	A126 Class B
	DI for DN350 and Above	EN-JS 1050	A536 65-45-12
Disc	DI EPDM/NBR/Viton Coated	EN-JS 1050	A536 65-45-12
Gasket	EPDM/NBR/Viton	Commercial	Commercial
Plug	Malleable Iron	Commercial	Commercial

### Schematic



### Notes:

*Design and material are subject to change without notice.*

### Dimensions (mm)

Size	DN50	DN65	DN80	DN100	DN125	DN150	DN200	DN250	DN300	DN350	DN400	DN450	DN500	DN600
A	203	216	243	292	349	381	495	622	699	787	813	914	1016	1219
B	95	95	110	121	147	147	222	260	292	333	391	435	486	578
Weight (kg)	13	14.5	23	32	46	58	120	180	240	300	360	455	648	873