

GROOVED BUTTERFLY VALVE Size DN50-DN300, PN16, Gear Actuator with Tamper Switch FIG · 2902

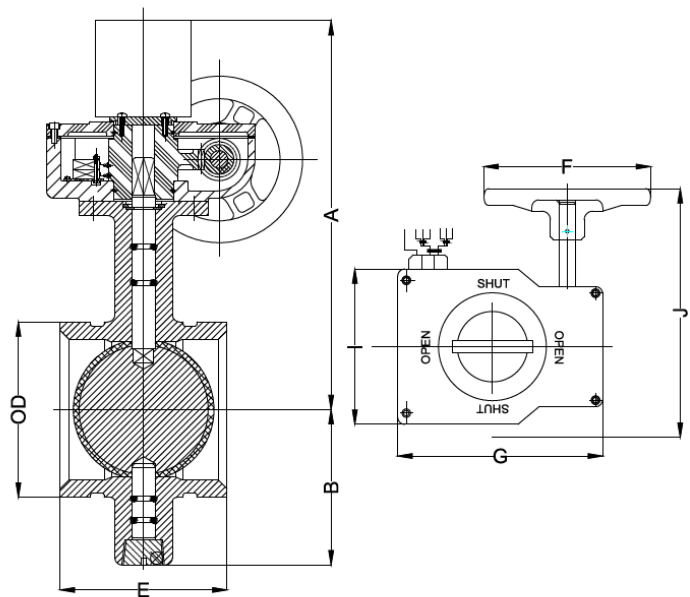
Specifications

- Valves comply with EN593, BS5155, MSS SP-67.
- Coated rubber disc.
- Actuator-ready with top-flange in accordance to ISO5211-1
- Gear actuator with tamper switch
- Groove dimensions comply with Metric or AWWA C606 Standard
- Working pressure: 16 bar
- Working temperature:
 - 10°C to 120°C for EPDM liner
 - 10°C to 82°C for NBR liner
 - 10°C to 120°C for Viton liner
- Corrosion protection: Internally and externally fusion bonded epoxy power coated (FBE).
- Installation: May be fitted in either horizontal or vertical pipework. When installed in a horizontal pipeline, the valve stem should be preferably horizontal. This enables the butterfly valve to be self-cleaning and also enables the weight of the disk to be equally borne by the bearings.

Note:

Design and material are subject to change without notice.

Schematic



Material Specifications

	Part Name	Material	EN Spec.	ASTM Spec.
Valve	Body	Ductile Iron	EN-JS1050	A536 65-45-12
	Shaft	Stainle ss Steel	BS970 420S37	AISI 420
	Disc	DI EPDM Coated	EN-JS1050	A536 65-45-12
		DI NBR Coated	EN-JS1050	A536 65-45-12
		DI Viton Coated	EN-JS1050	A536 65-45-12
O-Ring	EPDM/NBR/Viton	Commercial	Commercial	
Gear Operator	Housing	Cast Iron	EN-JL1040	A126 Class B
	Cover	Cast Iron	EN-JL1040	A126 Class B
	Worm	Carbon Steel	BS970 060A47	AISI1045
	Wormgear	Ductile Iron	EN-JS1050	A536 65-45-12
	Shaft	Carbon Steel	BS970 420S37	AISI 420
	Handwheel	Cast Iron	EN-JL1040	A126 Class B

Valve Dimensions (mm)

Size	DN50	DN65	DN80	DN100	DN125	DN150	DN200	DN250	DN300
Pipe OD	60. 3	73. 0/76. 1	88. 9	114. 3	139. 7/141. 3	165. 1/168. 3	219. 1	273. 0	323. 9
A	200	212	217	247	241	283	316	367	391
B	77	85	90	108	120	145	180	230	260
E	84	97	97	116	148	148	133	159	165
F	120	120	120	120	120	120	170	170	170
G	145	145	145	145	145	145	200	200	200
I	110	110	110	110	110	110	165	165	165
J	115	115	115	115	115	115	162	162	162
Top Flange	F07	F07	F07	F07	F07	F07	F10	F10	F10
Weight (kg)	3. 8	4. 3	4. 7	7	8. 5	11. 5	15. 6	28. 8	35

Installation sheet for Gear Operator with Tamper Switch

Butterfly valves are provided with internal supervisory position switches. The tamper switch operates by a cam connected to the valve stem. The switch will change position and close within two (2) full turns of the hand wheel from the fully open position.

Switch #1:

For connection to the supervisory circuit

Normally closed: 2 Yellow

Normally open: 2 Red

Common: 2 White

Switch #2:

Auxiliary switch connected per authority

Normally closed: 1 Blue

Normally open: 1 Orange

Common: 1 Black

Ground Lead: 1 Green

